

Product Description

The TUG T4 is a smart autonomous mobile robot (AMR) designed to move materials in constrained spaces as well as travel at higher velocities to efficiently deliver throughout very large facilities. The T4 was designed from the ground up to serve the needs of manufacturing and logistics customers along with distributors and integrators who will incorporate it into their projects.

- Integrated optional lift for cart transport
- Automatic pickup and drop off of carts
- Available Modbus connection for mounting of tools and accessories
- Travel speeds up to 2m/second (6.5ft / second)
- Can travel on irregular flooring and navigate ramps up to 5 degrees due to independent suspension
- Multiple dispatch and command modes to integrate into custom production workflows

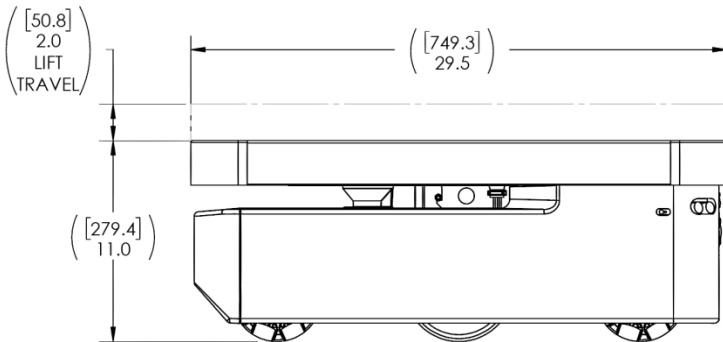


Specifications

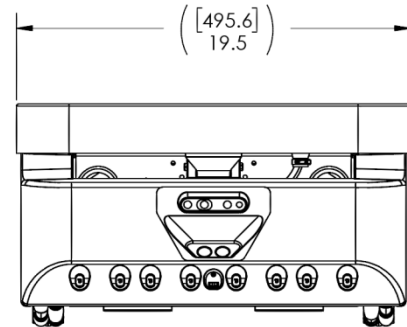
Specification	293372A
Maximum Carrying Capacity	250 lbs / 113 kg
Battery Run Time	10 hours with intermittent charging
Battery Technology	Li-Ion Phosphate
Cart Compatibility	Maximum length - 32.5 inches / 82.5 cm
Drive System	Turn on center Two wheel drive
Navigation and sensing	Combination of Stereo Camera, LIDAR, Sonar & Infrared
Communications	2.4 GHz WiFi
Support	Locally hosted or remote to Aethon Command Center via secure encrypted VPN
Turning Radius	17" - rotate about center
Docking Station Width	23.5" (60cm)
Environmental	Interior use
Travel Speed	Max speed 2 meters / second (6.5 ft / second)

Dimensions & Turning Radius

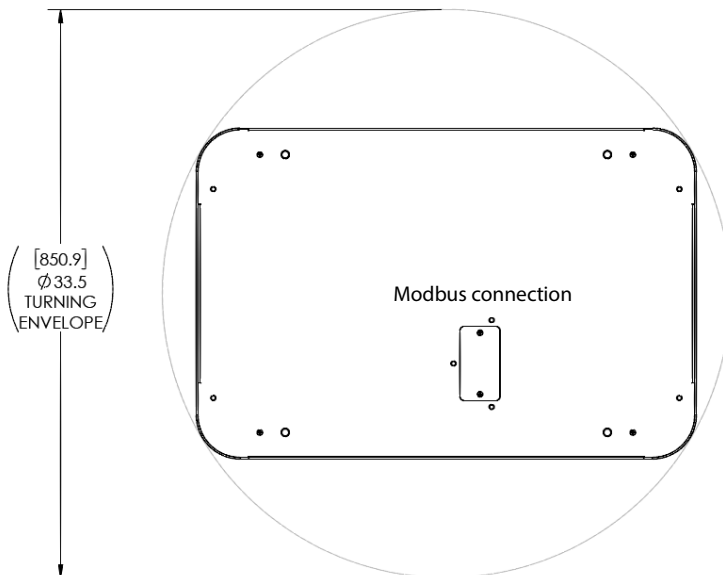
Side View



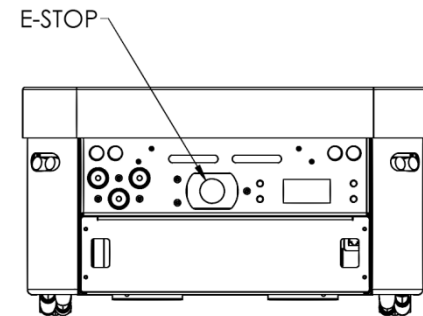
Front View



Top View



Rear View



Copyright Aethon Inc 2018.

All Rights reserved. www.aethon.com

Specifications subject to change.